

- 1
- 2
- 3
- 4
- 5
- 6
- 7
- 8
- 9
- 10
- 11
- 12
- 13
- 14
- 15
- 16
- 17
- 18

STANDARD EXECUTIONS

Drawn steel with sharp edge cut, burnished:

- **GN 970-STB-A:** without holes.
- **GN 970-STB-B:** with holes.
- **GN 970-STB-C:** with holes and slotted holes.

Aluminium matte finish:

- **GN 970-ALM-A:** without holes.
- **GN 970-ALM-B:** with holes.
- **GN 970-ALM-C:** with holes and slotted holes.



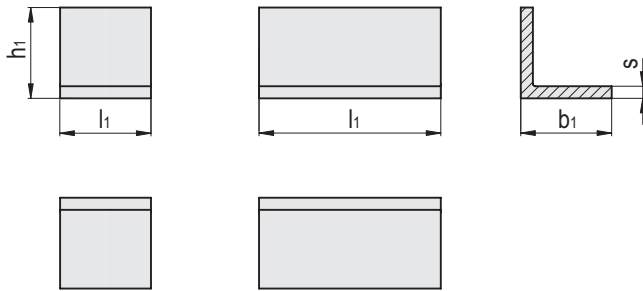
FEATURES AND APPLICATIONS

GN 970 brackets are used for the connection and right angle fixing of panels or covers.

GN 970-A brackets (without holes) are intended for fixing by welding using specific drilling templates.

GN 970-B brackets have 2 or 4 holes depending on the length l1.

GN 970-C brackets have 1 hole and 1 slotted hole or 2 holes and 2 slotted holes depending on the length l1.



Conversion Table	
1 mm = 0.039 inch	
h1	
mm	inch
30	1.18
40	1.57
50	1.97

GN 970-STB-A

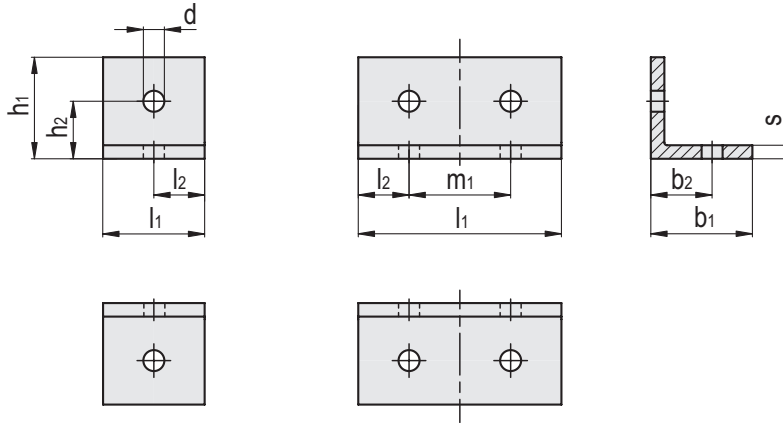
METRIC

Code	Description	h1	b1	l1	s	⚖
GN.40201	GN 970-STB-30-30-30-A	30	30	30	4	53
GN.40205	GN 970-STB-30-30-60-A	30	30	60	4	107
GN.40209	GN 970-STB-30-45-30-A	30	45	30	4	67
GN.40213	GN 970-STB-30-45-60-A	30	45	60	4	135
GN.40217	GN 970-STB-40-40-40-A	40	40	40	5	120
GN.40221	GN 970-STB-40-40-80-A	40	40	80	5	233
GN.40225	GN 970-STB-40-60-40-A	40	60	40	5	151
GN.40229	GN 970-STB-40-60-80-A	40	60	80	5	303

GN 970-ALM-A

Code	Description	h1	b1	l1	s	⚖
GN.40101	GN 970-ALM-30-30-30-A	30	30	30	4	18
GN.40105	GN 970-ALM-30-30-60-A	30	30	60	4	35
GN.40109	GN 970-ALM-30-45-30-A	30	45	30	4	22
GN.40113	GN 970-ALM-30-45-60-A	30	45	60	4	45
GN.40117	GN 970-ALM-40-40-40-A	40	40	40	5	40
GN.40121	GN 970-ALM-40-40-80-A	40	40	80	5	80
GN.40125	GN 970-ALM-40-60-40-A	40	60	40	5	50
GN.40129	GN 970-ALM-40-60-80-A	40	60	80	5	99
GN.40137	GN 970-ALM-50-50-50-A	50	50	50	6	75
GN.40133	GN 970-ALM-50-50-100-A	50	50	100	6	149
GN.40145	GN 970-ALM-50-75-50-A	50	75	50	6	94
GN.40141	GN 970-ALM-50-75-100-A	50	75	100	6	187

Levelling feet and supports



Conversion Table	
1 mm = 0.039 inch	
mm	inch
30	1.18
40	1.57
50	1.97

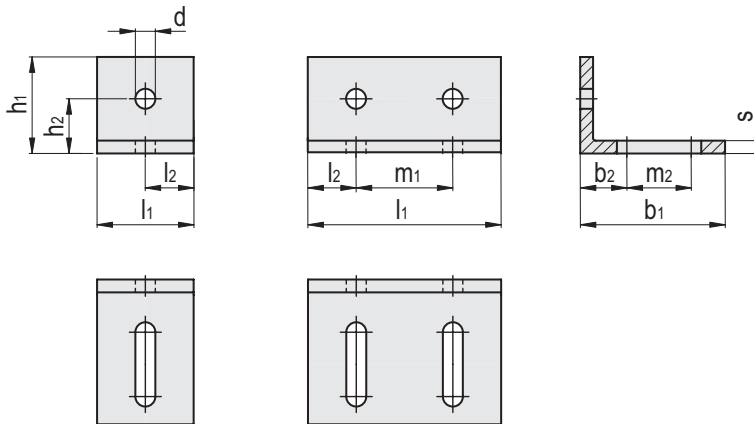
GN 970-STB-B

METRIC

Code	Description	h1	b1	l1	l2	d	b2	h2	m1	s	△
GN.40203	GN 970-STB-30-30-30-B	30	30	30	15	6.2	18	18	-	4	51
GN.40207	GN 970-STB-30-30-60-B	30	30	60	15	6.2	18	18	30	4	103
GN.40219	GN 970-STB-40-40-40-B	40	40	40	20	8.2	24	24	-	5	115
GN.40223	GN 970-STB-40-40-80-B	40	40	80	20	8.2	24	24	40	5	231

GN 970-ALM-B

Code	Description	h1	b1	l1	l2	d	b2	h2	m1	s	△
GN.40103	GN 970-ALM-30-30-30-B	30	30	30	15	6.2	18	18	-	4	17
GN.40107	GN 970-ALM-30-30-60-B	30	30	60	15	6.2	18	18	30	4	34
GN.40119	GN 970-ALM-40-40-40-B	40	40	40	20	8.2	24	24	-	5	38
GN.40123	GN 970-ALM-40-40-80-B	40	40	80	20	8.2	24	24	40	5	76
GN.40139	GN 970-ALM-50-50-50-B	50	50	50	25	10.2	30	30	-	6	72
GN.40135	GN 970-ALM-50-50-100-B	50	50	100	25	10.2	30	30	50	6	144



Conversion Table	
1 mm = 0.039 inch	
mm	inch
30	1.18
40	1.57
50	1.97

GN 970-STB-C

METRIC

Code	Description	h1	b1	l1	l2	d	b2	h2	m1	m2	s	△
GN.40211	GN 970-STB-30-45-30-C	30	45	30	15	6.2	18	18	-	20	4	61
GN.40215	GN 970-STB-30-45-60-C	30	45	60	15	6.2	18	18	30	20	4	122
GN.40227	GN 970-STB-40-60-40-C	40	60	40	20	8.2	24	24	-	25	5	139
GN.40231	GN 970-STB-40-60-80-C	40	60	80	20	8.2	24	24	40	25	5	277

GN 970-ALM-C

Code	Description	h1	b1	l1	l2	d	b2	h2	m1	m2	s	△
GN.40111	GN 970-ALM-30-45-30-C	30	45	30	15	6.2	18	18	-	20	4	20
GN.40115	GN 970-ALM-30-45-60-C	30	45	60	15	6.2	18	18	30	20	4	41
GN.40127	GN 970-ALM-40-60-40-C	40	60	40	20	8.2	24	24	-	25	5	46
GN.40131	GN 970-ALM-40-60-80-C	40	60	80	20	8.2	24	24	40	25	5	91
GN.40147	GN 970-ALM-50-75-50-C	50	75	50	25	10.2	30	30	-	30	6	86
GN.40143	GN 970-ALM-50-75-100-C	50	75	100	25	10.2	30	30	50	30	6	173

